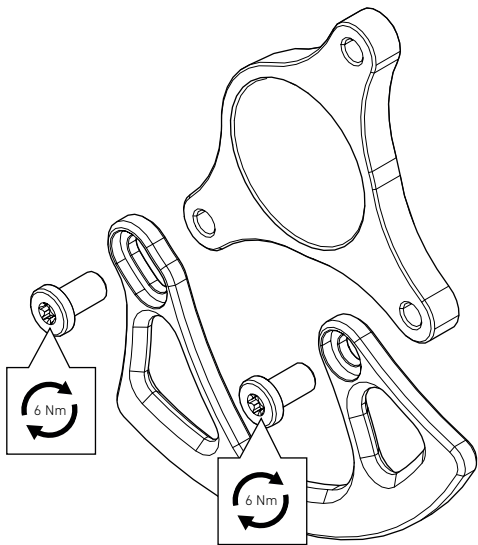
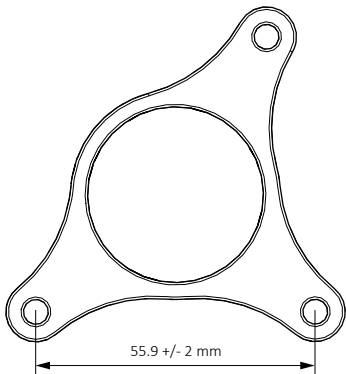


F7designz

CRASH PLATE™





The lower ISCG tabs of your frame must be within the tolerances of 55.9 +/- 2 mm.

77designz
An der Kolvenburg 8, 48727 Billerbeck, Germany
info@77designz.com